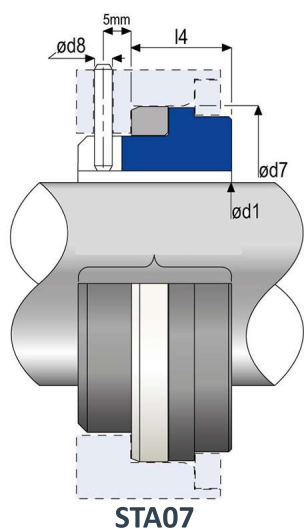
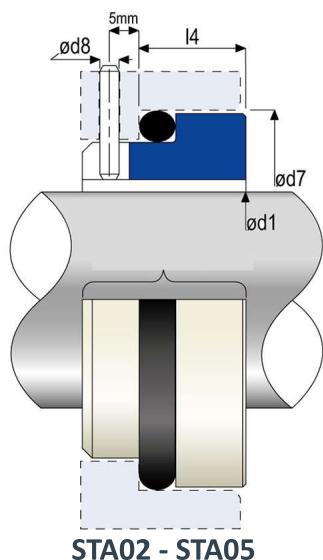


ANELLI STAZIONARI STA02 - STA05 - STA07 CON O-RING E ASOLA ANTI-ROTAZIONE



D1	STA02			STA05			STA07		
	D7	D8	L4	D7	D8	L4	D7	D8	L4
10	21.00	3.0	10.00	21.00	3.0	8.60			
12	23.00	3.0	10.00	23.00	3.0	8.60			
14	25.00	3.0	10.00	25.00	3.0	8.60			
16	27.00	3.0	10.00	27.00	3.0	8.60			
18	33.00	3.0	11.50	33.00	3.0	10.00			
20	35.00	3.0	11.50	35.00	3.0	10.00	35.0	3.0	13.5
22	37.00	3.0	11.50	37.00	3.0	10.00	37.0	3.0	13.5
24	39.00	3.0	11.50	39.00	3.0	10.00	39.0	3.0	13.5
25	40.00	3.0	11.50	40.00	3.0	10.00	40.0	3.0	13.0
28	43.00	3.0	11.50	43.00	3.0	10.00	43.0	3.0	12.5
30	45.00	3.0	11.50	45.00	3.0	10.00	45.0	3.0	12.0
32	48.00	3.0	11.50	48.00	3.0	10.00	48.0	3.0	12.0
33	48.00	3.0	11.50	48.00	3.0	10.00	48.0	3.0	12.0
35	50.00	3.0	11.50	50.00	3.0	10.00	50.0	3.0	12.0
38	56.00	4.0	14.00	56.00	4.0	11.00	56.0	4.0	13.0
40	58.00	4.0	14.00	58.00	4.0	11.00	58.0	4.0	13.0
43	61.00	4.0	14.00	61.00	4.0	11.00	61.0	4.0	13.0
45	63.00	4.0	14.00	63.00	4.0	11.00	63.0	4.0	13.0
48	66.00	4.0	14.00	66.00	4.0	11.00	66.0	4.0	13.0
50	70.00	4.0	15.00	70.00	4.0	13.00	70.0	4.0	13.5
53	73.00	4.0	15.00	73.00	4.0	13.00	73.0	4.0	13.5
55	75.00	4.0	15.00	75.00	4.0	13.00	75.0	4.0	13.5
58	78.00	4.0	15.00	78.00	4.0	13.00	78.0	4.0	13.5
60	80.00	4.0	15.00	80.00	4.0	13.00	80.0	4.0	13.5
63	83.00	4.0	15.00	83.00	4.0	13.00	83.0	4.0	13.5
65	85.00	4.0	15.00	85.00	4.0	13.00	85.0	4.0	13.5
68	90.00	4.0	18.00	90.00	4.0	15.30	90.0	4.0	13.5
70	92.00	4.0	18.00	92.00	4.0	15.30	92.0	4.0	14.5
75	97.00	4.0	18.00	97.00	4.0	15.30	97.0	4.0	14.5
80	105.00	4.0	18.20	105.00	4.0	15.70	105.0	4.0	15.0
85	110.00	4.0	18.20	110.00	4.0	15.70	110.0	4.0	15.0
90	115.00	4.0	18.20	115.00	4.0	15.70	115.0	4.0	15.0
95	120.00	4.0	17.20	120.00	4.0	15.70	120.0	4.0	15.0
100	125.00	4.0	17.20	125.00	4.0	15.70	125.0	4.0	15.0

Intercambiabili con:

AES S02U
Burgmann G9
Chesterton RBS N
Flowserve 8L
Fluiten A9
Vulcan 8DINL

AES S05U
Burgmann G46
Chesterton VDMA
Flowserve 4L
Fluiten A9
John Crane BP
Roten D
Sealol DIN
Vulcan 24DINL

AES S010U
John Crane BD
Vulcan 24B EZL

Materiali facce: SC - TC

Materiali elastomeri: NBR - FKM - EPDM